



Helping hands for your Forklift truck

## Carrying Ram T185P/S

For loading paper reels into containers



CUSTOMISED SOLUTION

RECOMMENDED USE – HANDLING PAPER REELS

## Carrying Ram T185P/S for loading paper reels into containers

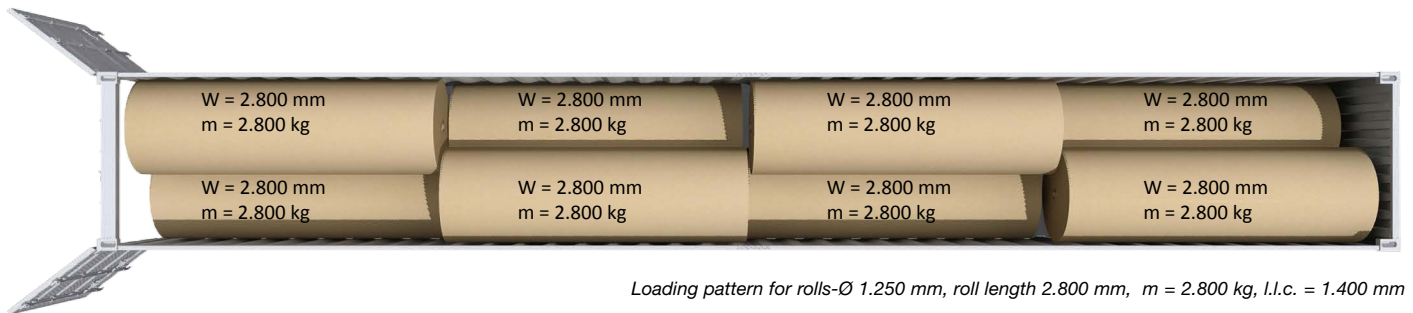
Transportation of paper reels – especially for overseas transportation – is traditionally very complex and at risk of being damaged as paper reels are transported as breakbulk and need to be repeatedly loaded or unloaded.

More and more bulk goods are being transported in dry freight containers as, from the manufacturer to the receiver, the goods need only be loaded and unloaded once. Additionally, during transportation in the container the goods are protected from adverse weather conditions. Thus it makes sense to transport sensitive paper reels in a dry freight container.

However, the framework conditions set an enormous challenge. Rolls of liner board have a diameter of up to 1.250 mm, a length of 3.800 mm and weigh up to 4 tons. They can neither be stacked standing 'eye-to-the-sky' nor loaded crosswise behind each other as a normal 40' ISO- Container 9,6' High Cube has an inner dimension of approx. 2.330 x 2.655 mm.



The only feasible way of loading is horizontal, lengthwise and to stack every second roll higher in order to make use of the complete container diagonally. To prevent damage and slipping of the roll the second roll is secured with e.g. a support (wooden or cardboard pedestal 'BestBlock'), lashing straps and/or air cushions between the rolls. The container wall acts as further support. Stacked in this manner, eight reels with a total weight of 22,4 tons can be stowed into a 40' ISO-Container.



This type of loading reels of paper into a container stipulates special requirements for the forklift truck and for the attachment. The load of up to 4 tons with a load centre of 1.400 mm must be picked up, transported into the container and, with considerable lateral displacement placed as close to the container wall as possible. The only way to pick up the paper reels from the front is by taking it up through the cardboard core with a diameter of 100 mm onto which the paper is coiled.



## Carrying Ram 10T185P/S2

for loading paper reels into containers

Capacity of 3.800 kg at 1.400 mm load centre.

Ram diameter of only 92 mm allows picking up paper reels through the cardboard core of 100 mm.

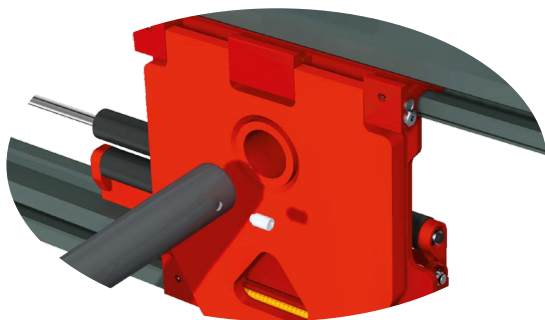
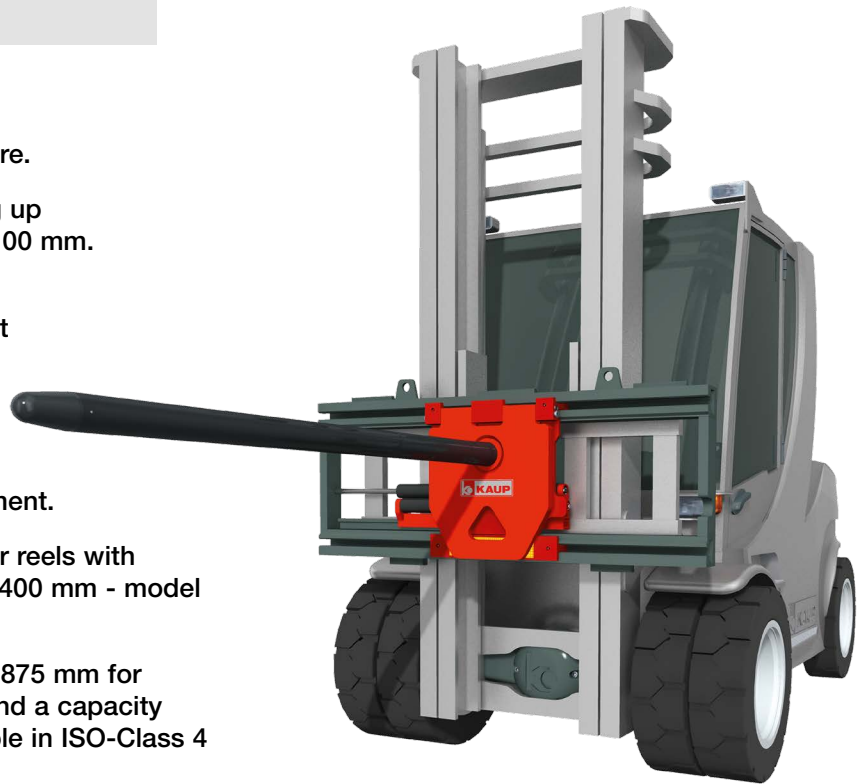
Maximum sideshift stroke of  $\pm 575$  mm ensures stacking of paper reels directly next to the container wall.

Hook-on attachment – quick installation on the forklift truck.

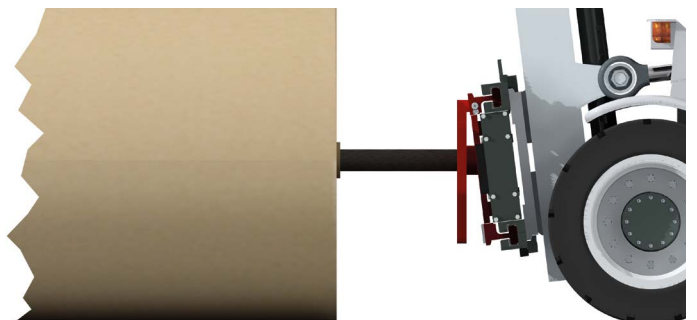
Best visibility through and over the attachment.

Available in ISO-Class 3 for handling smaller reels with a capacity of 2.500 kg at a load centre of 1.400 mm - model 4.8T185P/S.

Version with maximum sideshift stroke of  $\pm 875$  mm for handling reels with a diameter of 600 mm and a capacity of 3.800 kg at 1.400 mm load centre available in ISO-Class 4 mounting - model 10T185P/S.



Quick and simple exchange of the ram, as it is attached to the support plate by a screw.

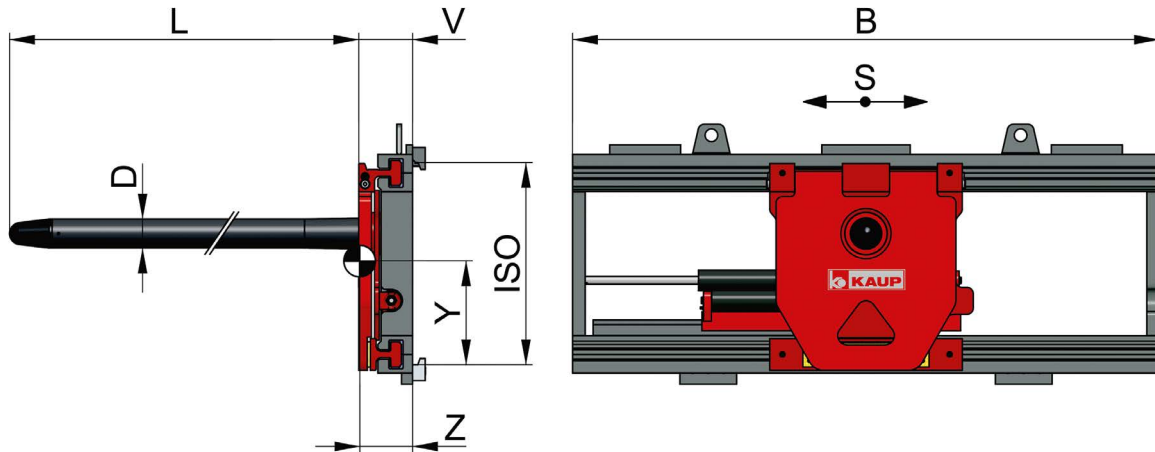


Ram designed with pin-type bearing which prevents the ram from wedging when inserting into the cardboard core.



Maximum sideshift stroke allows exact positioning of the roll directly next to the container wall.



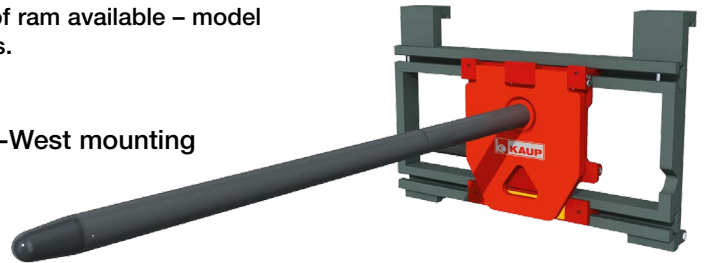


## Carrying Ram T185P/S for loading paper reels into containers

Model	Capacity kg	LCD mm	S <sub>max</sub> mm	Construction width B mm	Ram diameter D mm	Ram length L mm	Minimum roll diameter mm	ISO cl.	V mm	CofG Z mm	CofG <sub>v</sub> Y mm	Weight kg
4.8T 185P / S1	2.500	1.400	± 275	1.350	92	2.000	1.100	3	161	155	286	340
4.8T 185P / S2	2.500	1.400	± 325	1.350	92	2.000	1.000	3	161	148	280	360
10T 185P / S2	3.800	1.400	± 575	1.860	92	2.000	1.150	4	171	126	324	545
10T 185P / S3	3.800	1.400	± 875	1.630	92	2.000	600	4	214	141	318	638
12T 185P / S1	5.000	1.400	± 400	1.860	102	2.000	1.400	4	171	147	328	551

Further variations and ram lengths available upon request.  
Version with fork carriage (ISO class 4, 610 mm wide) instead of ram available – model 10T151S2 – suitable for mounting of other attachments or forks.

Carrying ram 10T185P/S optionally available for Terminal-West mounting with a total sideshift stroke of ± 665 mm.



KAUP attachments correspond to the requirements of the valid EC regulations regarding quality, safety and technical documentation. All technical data are subject to alteration.

KAUP is certified acc. to DIN EN ISO 9001



Helping hands for your Forklift truck

**KAUP GmbH & Co. KG**  
Braunstrasse 17 · D - 63741 Aschaffenburg  
☎ +49 6021 865-0 · 📠 +49 6021 865-213  
E-Mail: kaup@kaup.de · www.kaup.de